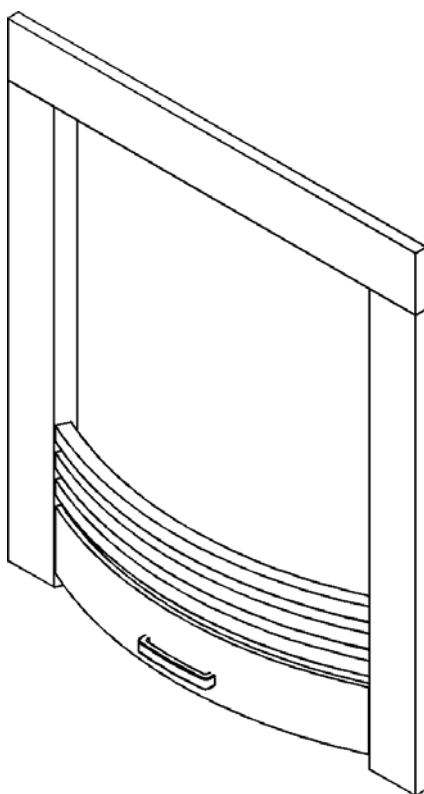




## PLATINUM FASCIA FITTING GUIDE



**This guide should be read in conjunction with the installer and owner guide supplied with the fire.**

This guide is intended to help you install your Platinum fascia. Please read carefully before installing. However, if further information is required, our

**Wonderfire Premier Technical Helpline** will be pleased to help.

Telephone **0844 8711 554** (National call rates apply in the United Kingdom)

In the Republic of Ireland call **0044 844 8711 554**.

**Important: Please keep your guide in a safe place for future reference.**

# INSTALLATION GUIDE

© Baxi Heating U.K. Limited 2009.

All rights reserved. No part of this publication may be reproduced in any material form (including photocopying), stored in any medium by electronic means (including in any retrieval system or database) or transmitted, in any form or by any means, whether electronic, mechanical, recording or otherwise, without the prior written permission of the copyright owner.

Applications for the copyright owner's permission to reproduce any part of this publication should be made, giving details of the proposed use, to the following address: The Company Secretary, Baxi Heating UK Limited, The Wyvern Business Park, Stanier Way, Derby, DE21 6BF.

Warning: Any person who does any unauthorised act in relation to a copyright work may be liable to criminal prosecution and civil claims for damages.



Wonderfire Premier, Wood Lane, Erdington, Birmingham B24 9QP  
[www.wonderfire.co.uk](http://www.wonderfire.co.uk)

Because our policy is one of constant development and improvement, details may vary slightly from those given in this publication

# INSTALLATION GUIDE

## HANDLING AND UNPACKING

Before continuing any further with the installation of this fascia please read the following:

### Important instructions.

- The approximate lifting weights of the fascia components are as below:

Fascia	2.36 kg
Ash pan	0.66 kg

- One person should be sufficient to lift the fascia. If for any reason this weight is considered too heavy then obtain assistance.
- When lifting always keep your back straight. Bend your legs and not your back.
- Avoid twisting at the waist. It is better to reposition your feet.
- Avoid upper body / top heavy bending. Always bend from the knees rather than the waist. Do not lean forward or sideways whilst handling.
- Always grip with the palm of the hand. Do not use the tips of fingers for support.
- Always keep the surround as close to the body as possible. This will minimise the cantilever action.
- Use gloves to provide additional grip.
- Always use assistance if required.

## CONTENTS

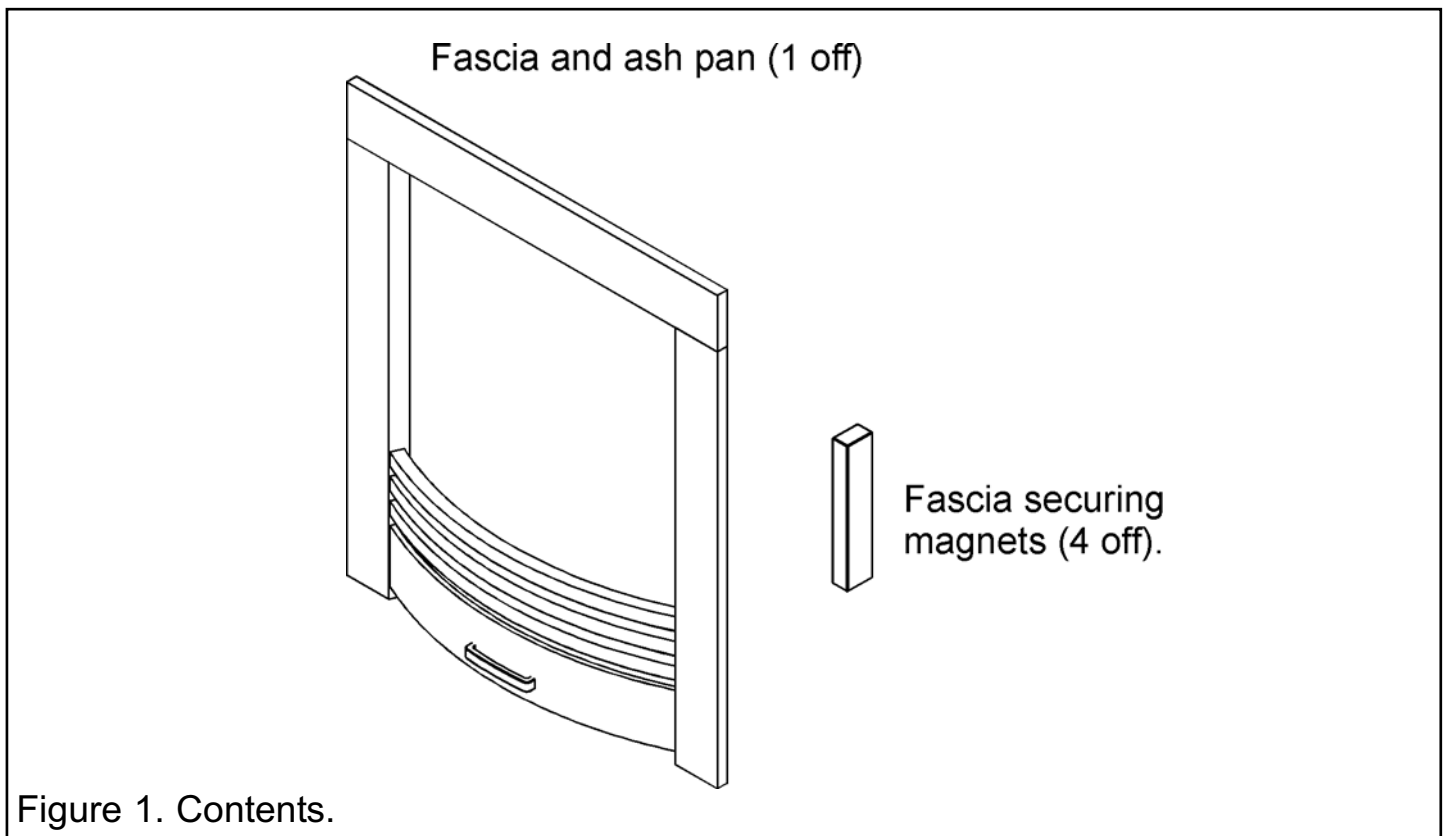


Figure 1. Contents.

# INSTALLATION GUIDE

## FITTING THE FASCIA

### Step 1.

- Carefully unpack the fascia and remove any protective film.
- The fascia securing magnets should already be in place. If they have moved in transit, position them as in figure 2. Locate the fascia against the convection box as in figure 2, ensuring that it is central to the convection box and sits on the hearth, then place the ash pan at the base of the fascia.

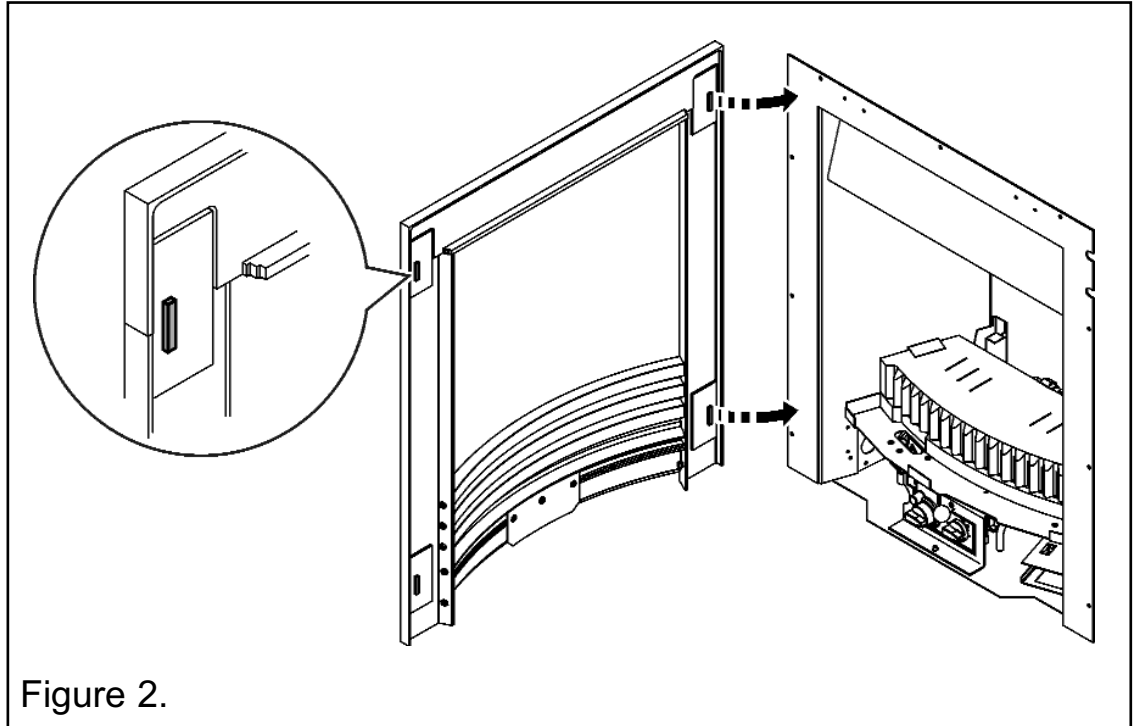


Figure 2.

  
Wonderfire  
PREMIER